

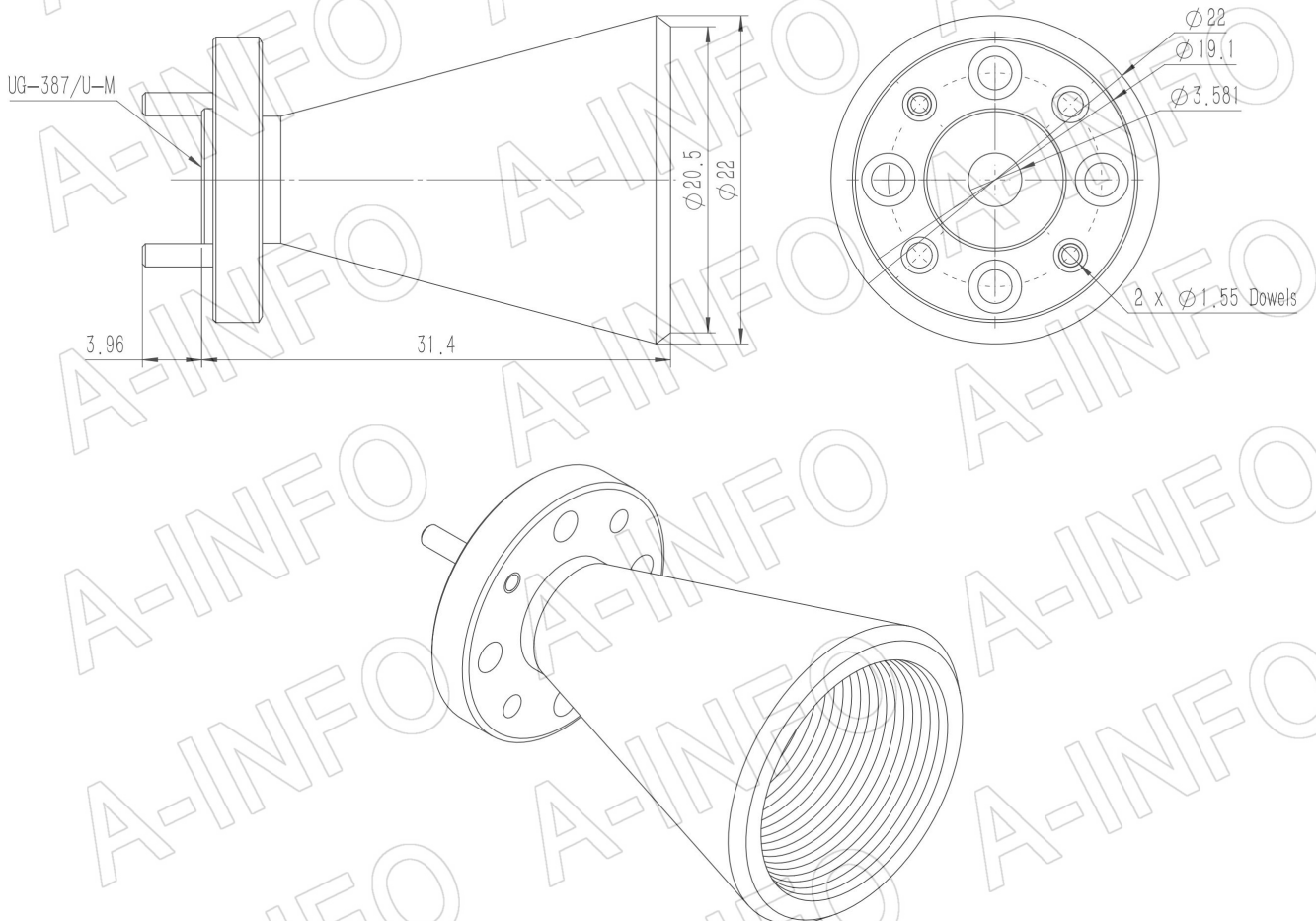
For reference only. See data sheet for the detailed specifications.

Technical Specification

| | |
|--------------------------|---------------------|
| Frequency Range(GHz) | 56.6 – 77.5 |
| EIA WC | WC14 |
| Circular WG Size | 3.581mm / 0.14" |
| Gain(dBi) | 20 Typ. |
| Polarization | Linear and Circular |
| 3dB Beamwidth(deg) | E Plane: 19 Typ. |
| | H Plane: 20 Typ. |
| Cross Pol. Isolation(dB) | 40 Typ. |
| VSWR | 1.30:1 Typ. |
| Output | UG-387/U-M |
| Material | Cu |
| Finish | Gold Plated |
| Size(mm) | 22 x 22 x 31.4 |
| Net Weight(Kg) | 0.03 Around |



Outline Drawing (Size: mm)



AINFO Inc.

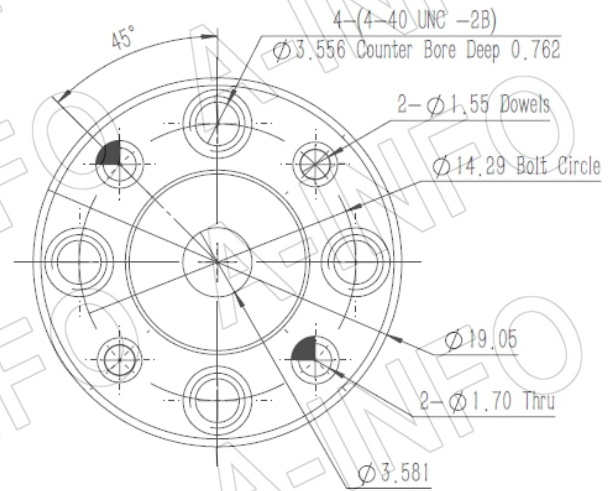
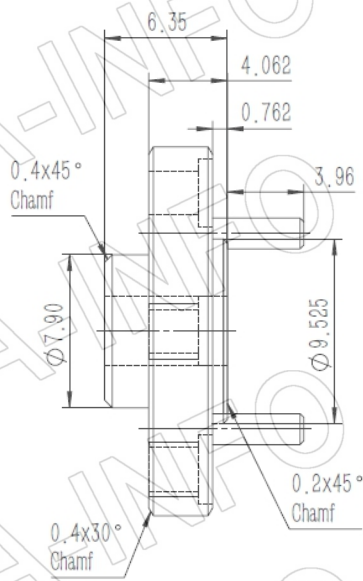
China(Beijing): Tel: (+86) 10-6266-7326,
China(Chengdu): Tel: (+86) 28-8519-2786,
USA : Tel: (+1) 949-639-9688,

Page 1 of 12

(+86) 10-6266-7327 Fax: (+86) 10-6266-7379
(+86) 28-8519-3044 Fax: (+86) 28-8519-3068
(+1) 949-639-9608 Fax: (+1) 949-639-9670

Website: www.ainfoinc.com
Email: sales@ainfoinc.com

Flange Drawing (Size: mm)



UG-387/U-M

AINFO Inc.

China(Beijing): Tel: (+86) 10-6266-7326,
China(Chengdu): Tel: (+86) 28-8519-2786,
USA: Tel: (+1) 949-639-9688,

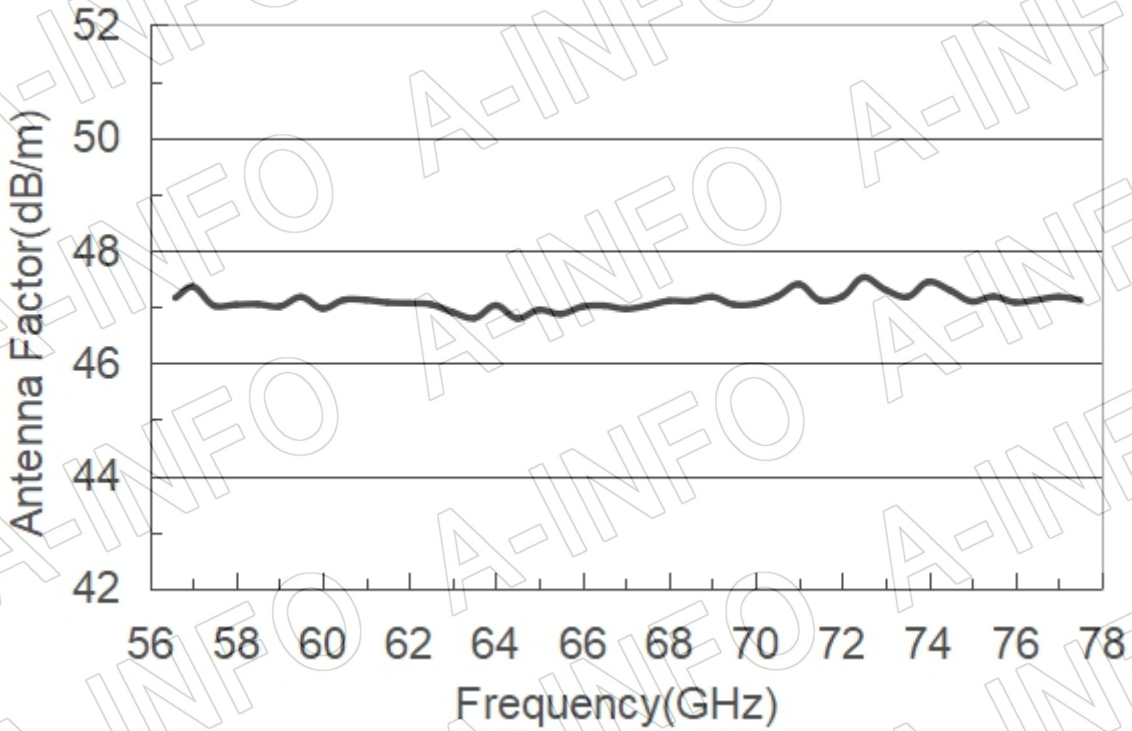
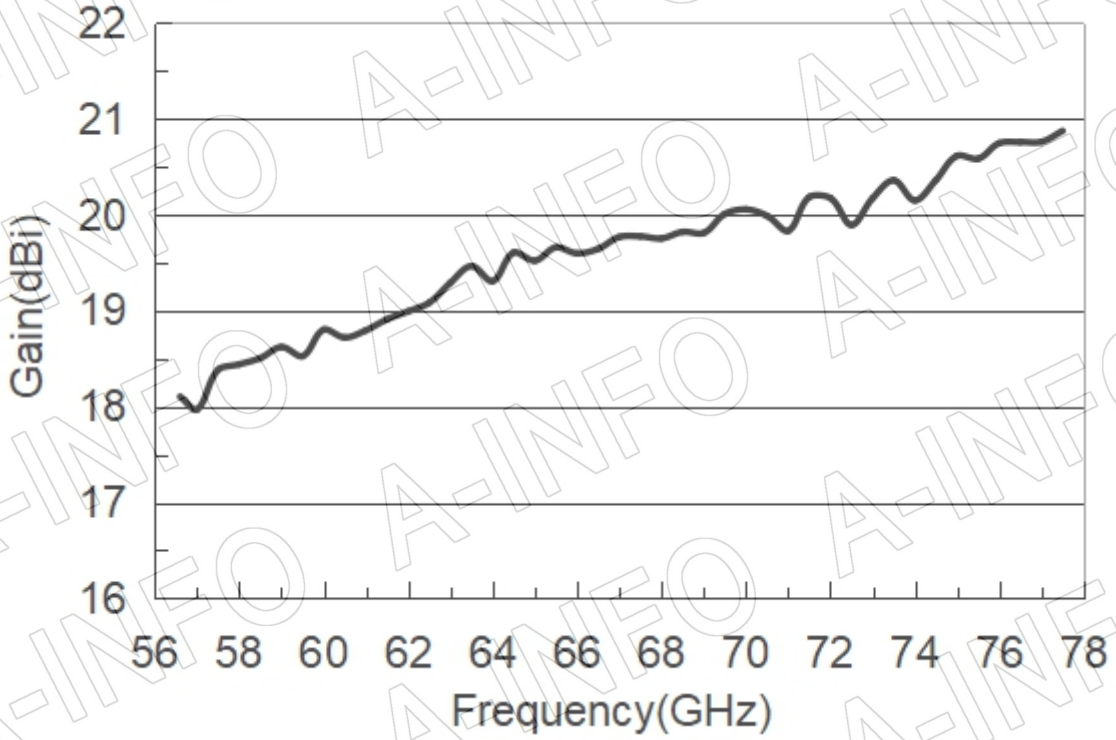
Page 2 of 12

(+86) 10-6266-7327 Fax: (+86) 10-6266-7379
(+86) 28-8519-3044 Fax: (+86) 28-8519-3068
(+1) 949-639-9608 Fax: (+1) 949-639-9670

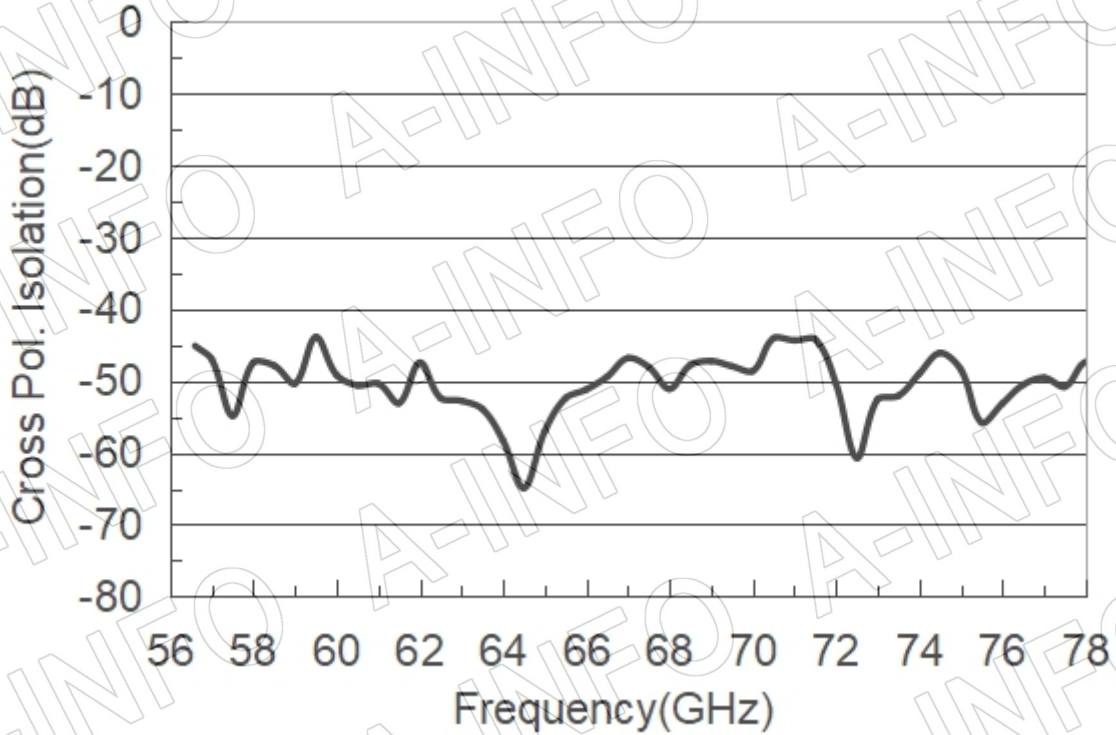
Website: www.ainfoinc.com
Email: sales@ainfoinc.com

Test Results (Including circular to rectangular transition)

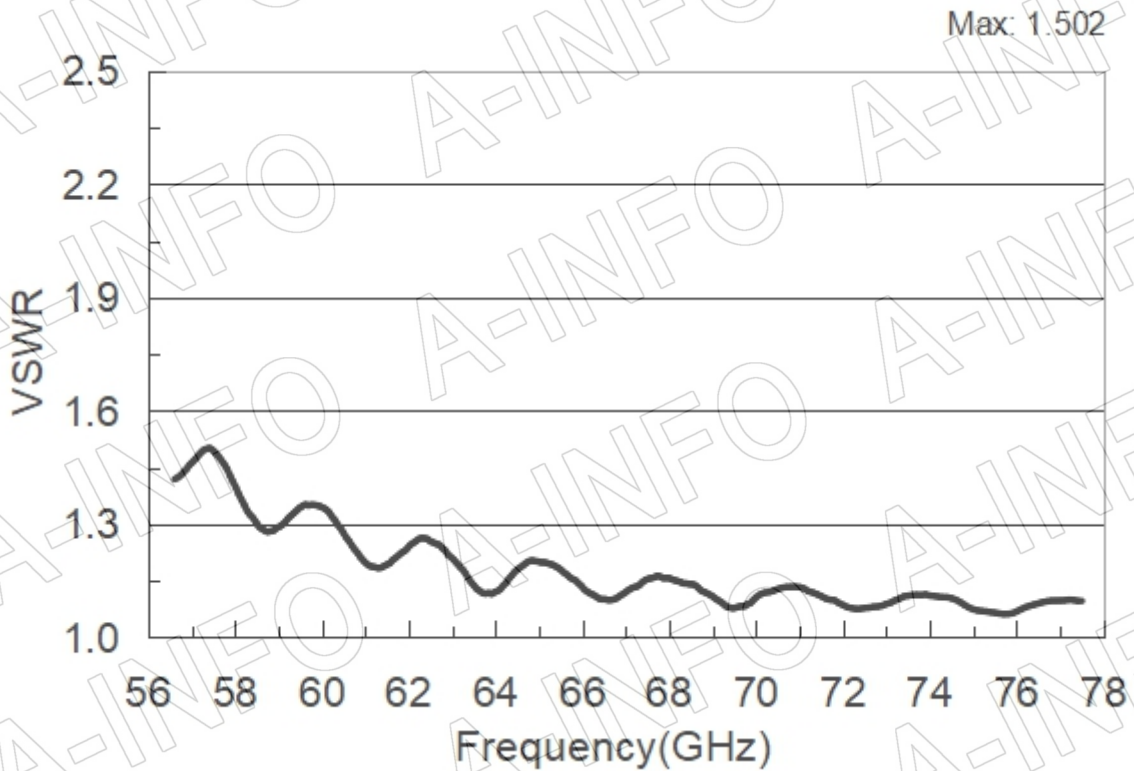
1. Gain & Antenna Factor



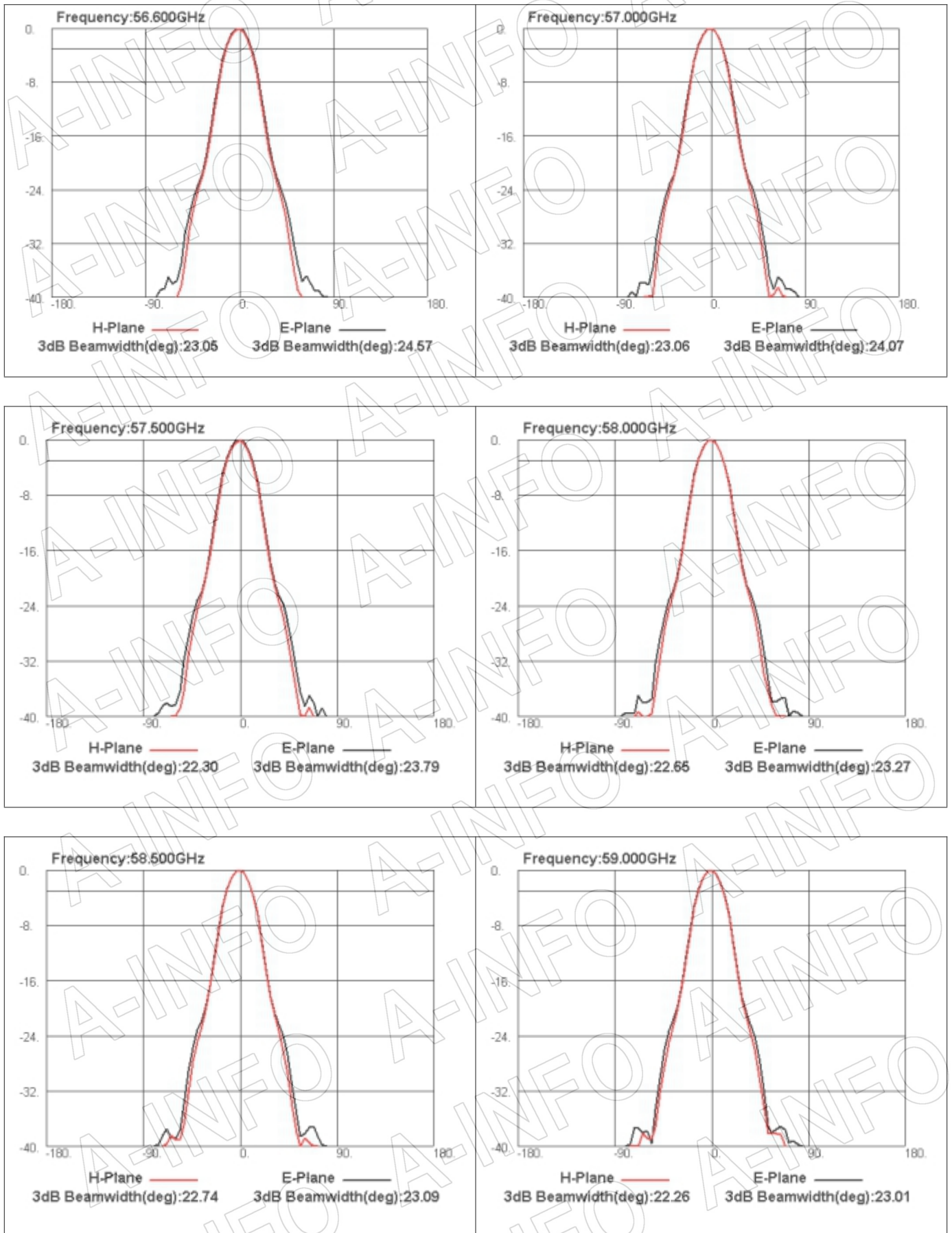
2. Cross Polarization Isolation



3. VSWR



4. Pattern



AINFO Inc.

China(Beijing):
China(Chengdu):
USA :

Tel: (+86) 10-6266-7326,
Tel: (+86) 28-8519-2786,
Tel: (+1) 949-639-9688,

Page 5 of 12

(+86) 10-6266-7327
(+86) 28-8519-3044
(+1) 949-639-9608

Fax: (+86) 10-6266-7379
Fax: (+86) 28-8519-3068
Fax: (+1) 949-639-9670

Website: www.ainfoinc.com
Email: sales@ainfoinc.com

